

CABLE 222 RF: RF CABLE ASSEMBLY, I-PEX MHF + FRONT MOUNT SMA S/T BULKHEAD JACK WITH O-RING WITH 1.13 CABLE, GRAY - 6GHz

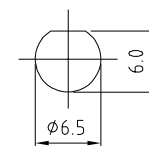
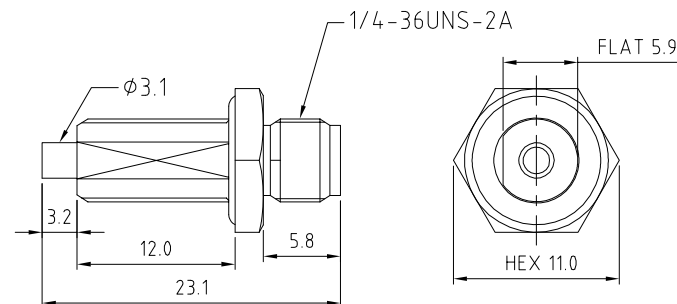
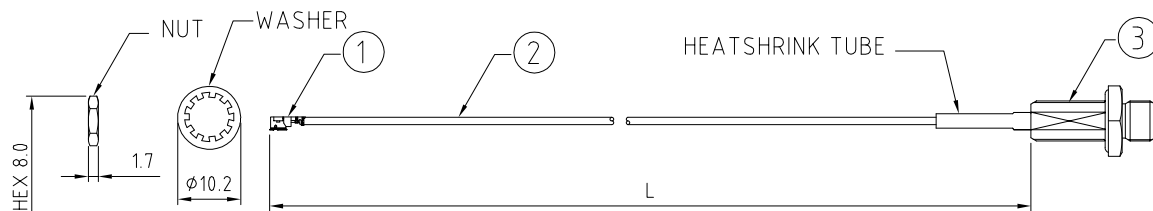
SPECIFICATIONS :

1. I-PEX MHF PLUG, P/N: 20278-112R-13
2. ϕ 1.13MM COAXIAL CABLE, COLOR: GRAY
3. FRONT MOUNT SMA STRAIGHT BULKHEAD JACK WITH O-RING (RFCT-SMA009-F13).

NOTES:

1. THE ORIENTATION OF CONNECTORS ON DRAWING IS FOR REFERENCE ONLY, IF THE ORDER IS LEFT BLANK THE CONNECTOR WILL NOT HAVE FIXED ORIENTATION.
2. FIXED ORIENTATION IS SUGGESTED FOR CABLE LENGTH 25MM TO 100MM. PLEASE SPECIFY THE FIXED ORIENTATIONS FROM THE ORDER CODE (F1, F2, ETC)
3. CONTACT GRADCONN IF THE ORIENTATION YOU REQUIRE IS NOT SHOWN.
4. WORKING FREQUENCY RANGE: DC-6GHz
5. OPERATING TEMPERATURE: -40°C TO +85°C
6. IMPEDANCE: 50 OHM
7. IT IS INTENDED THAT MOUNTING OF THIS CONNECTOR IS ACHIEVED USING THE NUT AND WASHER PROVIDED. PLEASE CONTACT GRADCONN FOR ADVISE IF PLANNING TO USE A DIFFERENT METHOD OF MOUNTING.

USAGE PRECAUTIONS: CABLES USING 'MICRO' COAX ARE DELICATE:
 (i) HANDLE WITH CARE.
 (ii) DO NOT TWIST; APPLY EXCESSIVE FORCES OR SHARP BENDS TO THE CABLE. DO NOT FORCEFULLY DEFORM WIRES.
 (iii) CONSULT CONNECTOR MANUFACTURER'S DATASHEETS FOR DETAILED NOTES ON HANDLING INSTRUCTIONS.



HOW TO ORDER

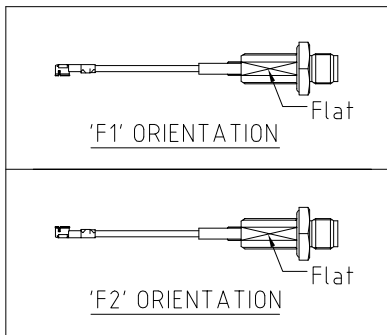
CABLE 222 RF - X X X - X X - X - X

"L" LENGTH IN MM:
 eg: 100MM = 100
 (MIN. 025-MAX.400)
 STANDARD = 100, 150, 200)
 Tolerance: <50mm : \pm 2mm.
 51-200mm: \pm 5mm.
 201-400mm: \pm 7mm.

CABLE SIZE OPTIONS:
 1 = ϕ 1.13MM CABLE, COLOR: GRAY

O-RING, WASHER AND NUT OPTIONS:
 BLANK = SEPARATELY PACKED (STANDARD)
 A = ALL ASSEMBLED WITH CONNECTOR

ORIENTATION OPTIONS:
 BLANK = DOES NOT HAVE A FIXED ORIENTATION
 F1 = MHF CONNECTION DOWN (L=25-220MM)
 F2 = MHF CONNECTION UP (L=25-220MM)
 (SEE NOTES 1, 2, 3 AND DIAGRAMS FOR MORE INFORMATION)



REV. DATE & DRN
 10 06/10/15 - RJH RELEASE
 11 23/01/17 - NYM
 12 17/08/20 - NYW
 DRAWING MODIFICATION
 ADD NOTE 5-7.

Scale: NTS	THIRD ANGLE	Unstated X .XX .XXX ANGLES	Tolerances: N/A N/A N/A N/A	Material SEE NOTE
Drawn: RJH				
App'd: XXX	Title CABLE ASSEMBLY	NOT TO SCALE		
Date: 17 AUG. '20	Revision: 1.2	Unit: mm		

www.gradconn.com

THIS DRAWING IS CONFIDENTIAL AND MUST NOT BE COPIED OR DISCLOSED WITHOUT WRITTEN CONSENT

Type: Cable 222 RF
CABLE 222 RF
Drawing Number:
Sheet 1 of 1
Drawing © E and O E